

- Simultaneous process of different staining protocols
- Continuous unload & reload without interrupting staining cycle
- Easy menu driven programming
- Integrated oven for slides drying
- Digital electronic temperature control
- Movement parts are in bearing linear guide for high precision on axis
- Control and programming board made in touch screen technology
- Ergonomic design

Specifiche Tecniche

Number of Stations	26
Number of reagents Stations	18
Number of wash Stations	3
Number of waiting Stations	3
Number of programs:	5
Loading capacity per rack	30 slides , 200 staining per hour
Capacity of single tray	450 ml
Incubation time setting	From 1 min. to 99 h 59 min.
Temperature range :	From ambient to 85°C increments 1°C
UPS:	External
Supply Voltage	220 V / 50 Hz 110 V / 60 Hz
Power draw:	300 V/A
Dimension:	
W:	1200 mm
D:	500 mm
H:	600 mm
Weight:	110Kg.



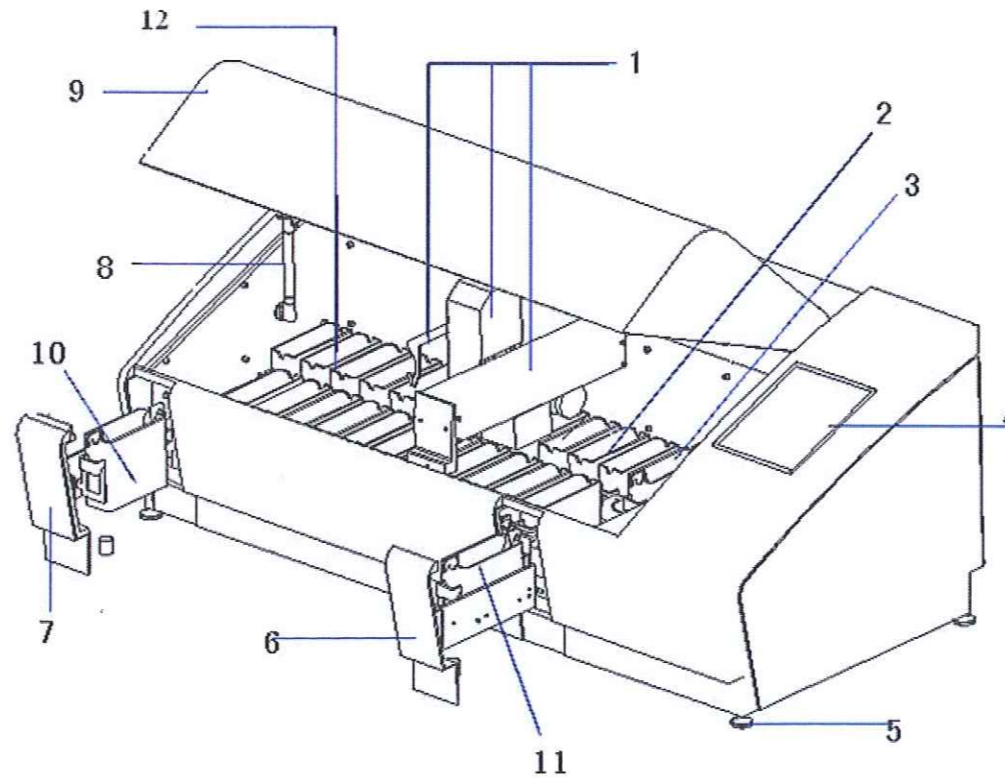
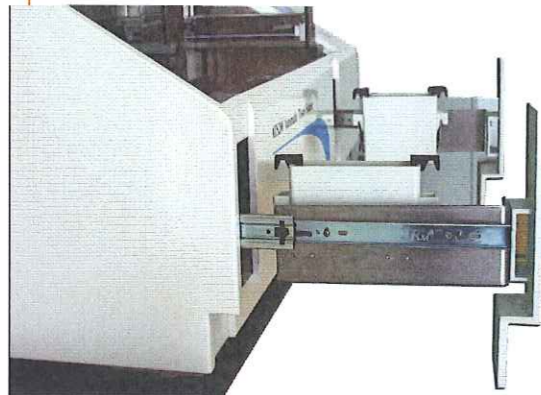
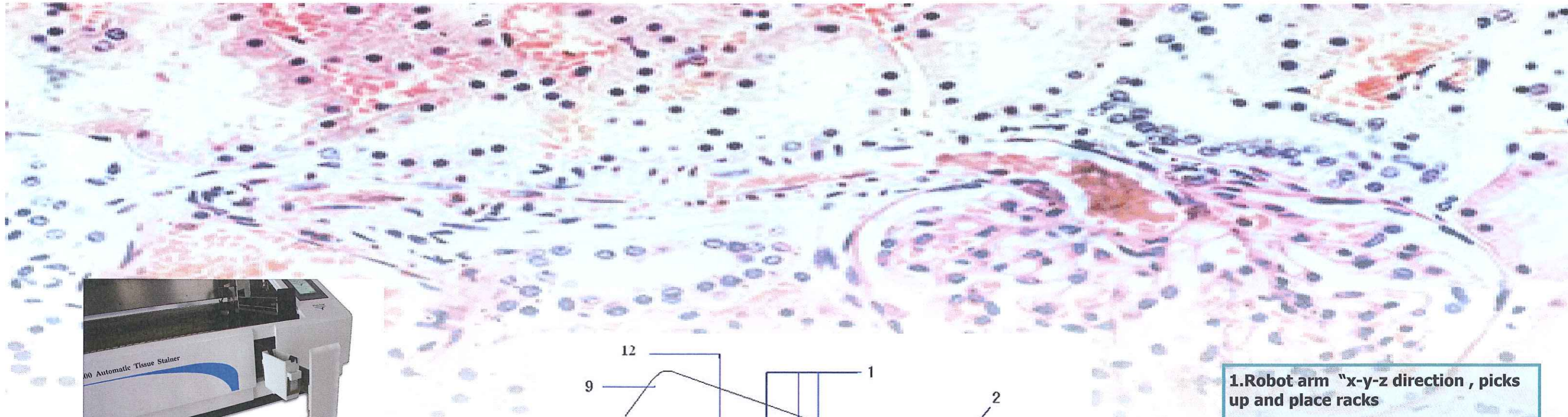
NEW

AT200

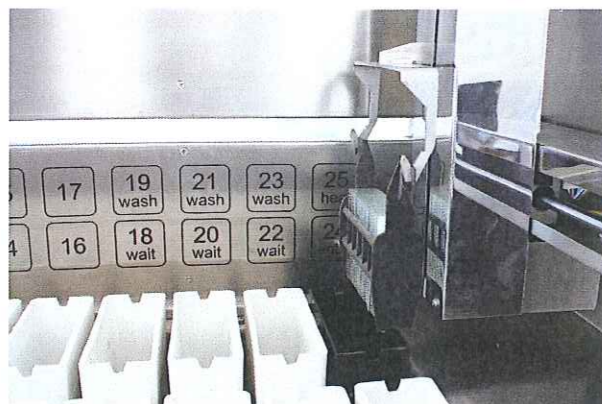
Automatic Slide Stainer
for Multiple Histological & Cytological
Routine Stains



ATS 200 Automatic Slide Stainer



1. Robot arm "x-y-z direction , picks up and place racks
2. Washing station
3. Slide drying station
4. Touch screen computer controlled keyboard
5. Alignment feet
6. Rack Entry Door for continuous slides loading
7. 10. Rack Exit Door for continuous slides unloading
8. Fume extractor system
9. Cover lid
11. Slide rack 30 slides each
12. 18 reagents stations with capac-



Want More Information ? www.histo-online.com